

# MULTI-ROUTE UNIT

M-66



## DESCRIPTION

TOA's M-66 Multi-Route Unit functions as a splitter, a mixer, or a microphone head amplifier featuring 6 inputs and 6 outputs. Because functions can be selected individually for each channel, a wide range of signal routing configurations can be achieved. Each input channel is equipped with the MIC/LINE LEVEL selector switch and a 20 dB PAD, permitting the unit to handle a wide range of input signal levels from the microphone to line level, which can be adjusted delicately. The number of input and output channels can be increased by connecting multiple M-66 units. A security cover is provided to prevent accidental setting changes. The M-66 can be mounted in an EIA Standard equipment rack (2-unit size).

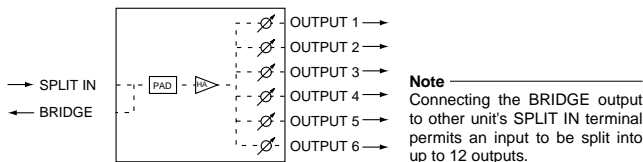
## FEATURES

- A wide range of signal settings from microphone to line levels can be performed for each input.
- The front panel-mounted function selector switch facilitates individual selection of functions for each channel.
- Multiple functions can be simultaneously used (i.e. different functions can be assigned to different channels).
- Electrically-balanced inputs and outputs (No. 1: Ground, No. 2: Hot, No. 3: Cold).
- A security cover protects the unit from accidental changes in control setting.
- Mountable on the EIA standard equipment rack (2-unit size).

## APPLICATION EXAMPLE

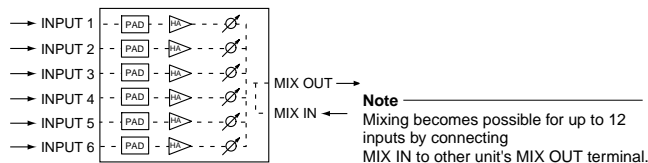
### Functions as a splitter

- One input can be split into up to 6 outputs per unit.
- Split outputs can be expanded by connecting multiple units.
- Signal level can be individually adjusted for each output.



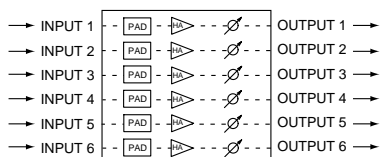
### Functions as a mixer

- Up to 6 inputs can be mixed together and sent out from 1 output per unit.
- Inputs can be expanded by connecting multiple units.
- Sensitivity level (-60, -40, -10, +10 dB) can be individually set for each input.
- Signal level can be individually adjusted for each input.

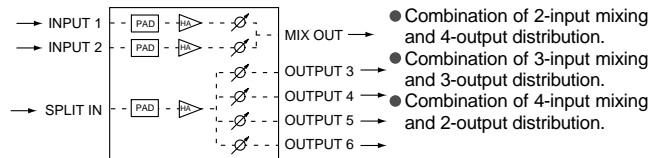


### Functions as a microphone amplifier

- Provides 6 individual input/output channels.
- Sensitivity level (-60, -40, -10, +10 dB) can be individually set for each channel.
- Signal level can be individually adjusted for each channel.



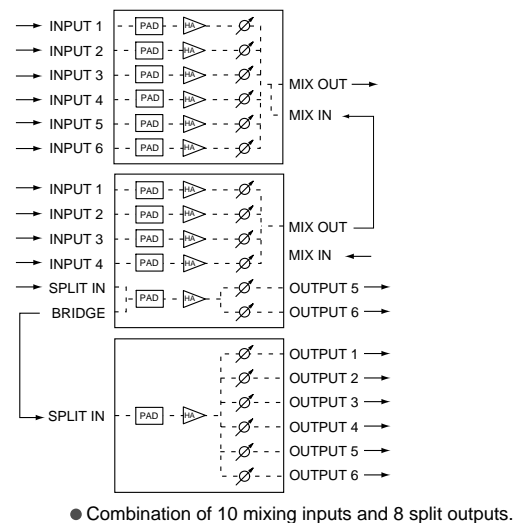
### Permits combinations of multiple-input mixing and multiple-output distribution



### Functions as a monaural bus mixer

This can be achieved by connecting MIX OUT to SPLIT IN terminal when the M-66 is in the combined mode of multiple input mixing and multiple output distribution.

### Expands input/output configuration by connecting multiple units

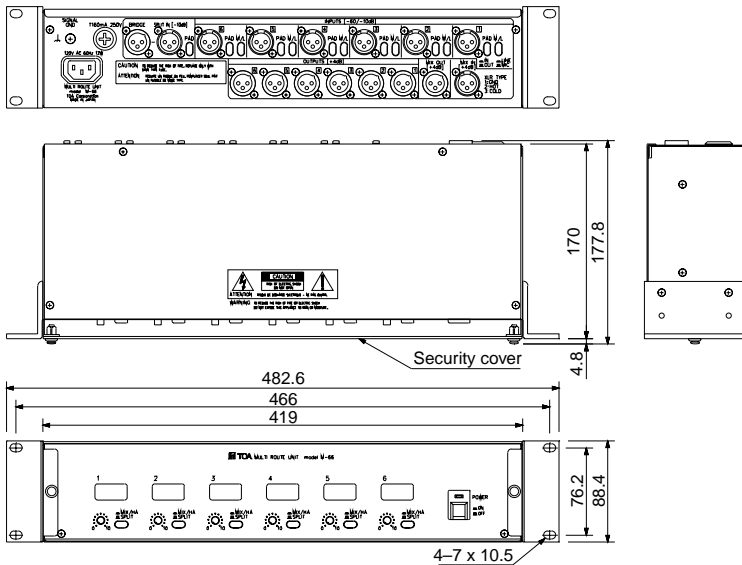


# SPECIFICATIONS

\* 0 dB = 0.775 Vrms

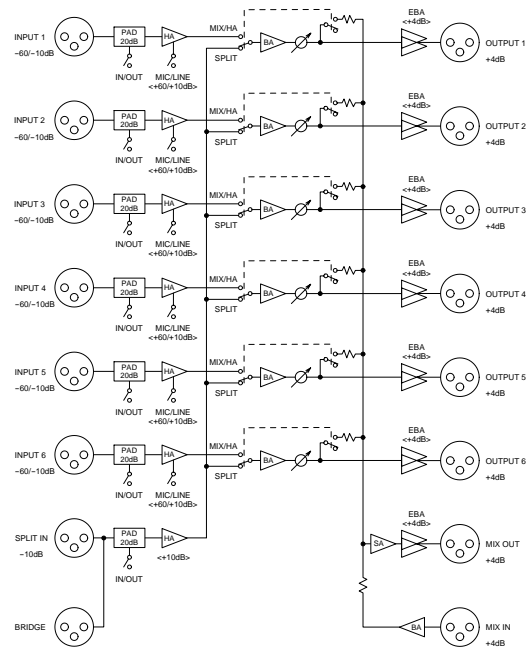
<b>M-66</b>	
<b>Power Source</b>	230 VAC, 50/60 Hz 120 VAC, 50/60 Hz
<b>Power Consumption</b>	12 W
<b>Input</b>	6 inputs, mic / line changeable, 2 kΩ, XLR-3-31 compatible (electrically balanced) -60 dB* (mic) / -10 dB* (line)
<b>Split Input</b>	-10 dB*, 2 kΩ, XLR-3-31 compatible (electrically balanced)
<b>Mix Input</b>	+4 dB*, 10 kΩ, XLR-3-31 compatible (electrically balanced)
<b>Output</b>	6 outputs, +4 dB* (appropriate impedance not less than 600 Ω), XLR-3-32 compatible (electrically balanced)
<b>Mix Output</b>	+4 dB* (appropriate impedance not less than 600 Ω), XLR-3-32 compatible (electrically balanced)
<b>Other</b>	Bridging output : XLR-3-32 compatible Input sensitivity selector switch : Input 1 to 6 (LINE, MIC) Pad switch : Input 1 to 6, split input (20 dB) Function selector switch : 1 to 6 (MIX / HA, SPLIT)
<b>Frequency Response</b>	20 – 20,000 Hz (+1, -3 dB)
<b>Distortion</b>	Less than 0.01 % (1 kHz, line level nominal input, output)
<b>Noise</b>	Output : Less than -100 dB* (band pass filter, volume minimal)
<b>Temperature Range</b>	0°C to +40°C
<b>Finish</b>	Panel, case : Pre – coated steel plate, black, 30 % glossy Rack mounting screw : Aluminum, alumite, black Security cover : Acrylic, (smoke) gray
<b>Dimensions</b>	482.6 (W) x 88.4 (H) x 177.8 (D) mm
<b>Weight</b>	3 kg
<b>Accessory</b>	Power cord (2 m) … 1, Rack mounting screw … 4

## APPEARANCE AND DIMENSIONAL DIAGRAM



Unit : mm

## BLOCK DIAGRAM



Note: Brackets <> represent the amplifier gain.



TOA Corporation

URL : <http://www.toa.co.jp/>

Specifications are subject to change without notice.  
Printed in Japan (003) 833-64-115-10 C.O